

Royal Exclusio pumps & skimmers

Klaus Jansen // Richard-Byrd-Str.7 // 50829 Cologne // Germany

Fon +49(0)221/222886 0 // Fax +49(0)221/22288622

info@royal-exclusiv.de // www.royal-exclusiv.de



Since 1986



Data sheet and list of spare parts for Mini Bubble King 160 VS12
For all Mini Bubble King protein skimmer 160

vs14

ENG



Data sheet for protein skimmer Mini Bubble King 160 VS12

Protein skimmer Mini Bubble King 160 VS12

Product no.: 501

764,40 €

for aquariums from 200 liter - 500 liter

Protein-skimmer-series Mini Bubble King for small aquarium-grounds. For internal installation in filter-systems. This is a space-saving for internal installation in cramped-cleaning equipment. Suitable for particularly fast, effective, and wet skimming. The pump is integrated in the skimmer.

Technical data Mini Bubble King 160:

600 l/h Air - 1.000 l/h Water = 1 Pump MBK 600

with AKB- (anti-lime-bypass) and ozon- plug

Base plate: 18 cm x 18 cm / height ~ 56 cm

Skimmer-pump: Mini Bubble King 600 with AKB(anti-lime-bypass)

Delivery rate: 600 l/h Air inlet ~ 1.000 l/h Water inlet

Wattage - active power: P = 18 Watt/h

Operating voltage: 230 Volt 50 Hz (also in 110V/60Hz available)

Protection class: IP 68

Water level: ~ 130 mm up to ~ 300 mm (ideal ~ 210mm)

Weight skimmer: 6 kg inclusiv pump

Height of intake side: center 95 mm

Dimension skimmer: 240 mm wide / 230 mm length / ~ 555 mm height

The nozzle is 45 mm above the ground plate.

Outlet (cleanout) height ~ 380 mm

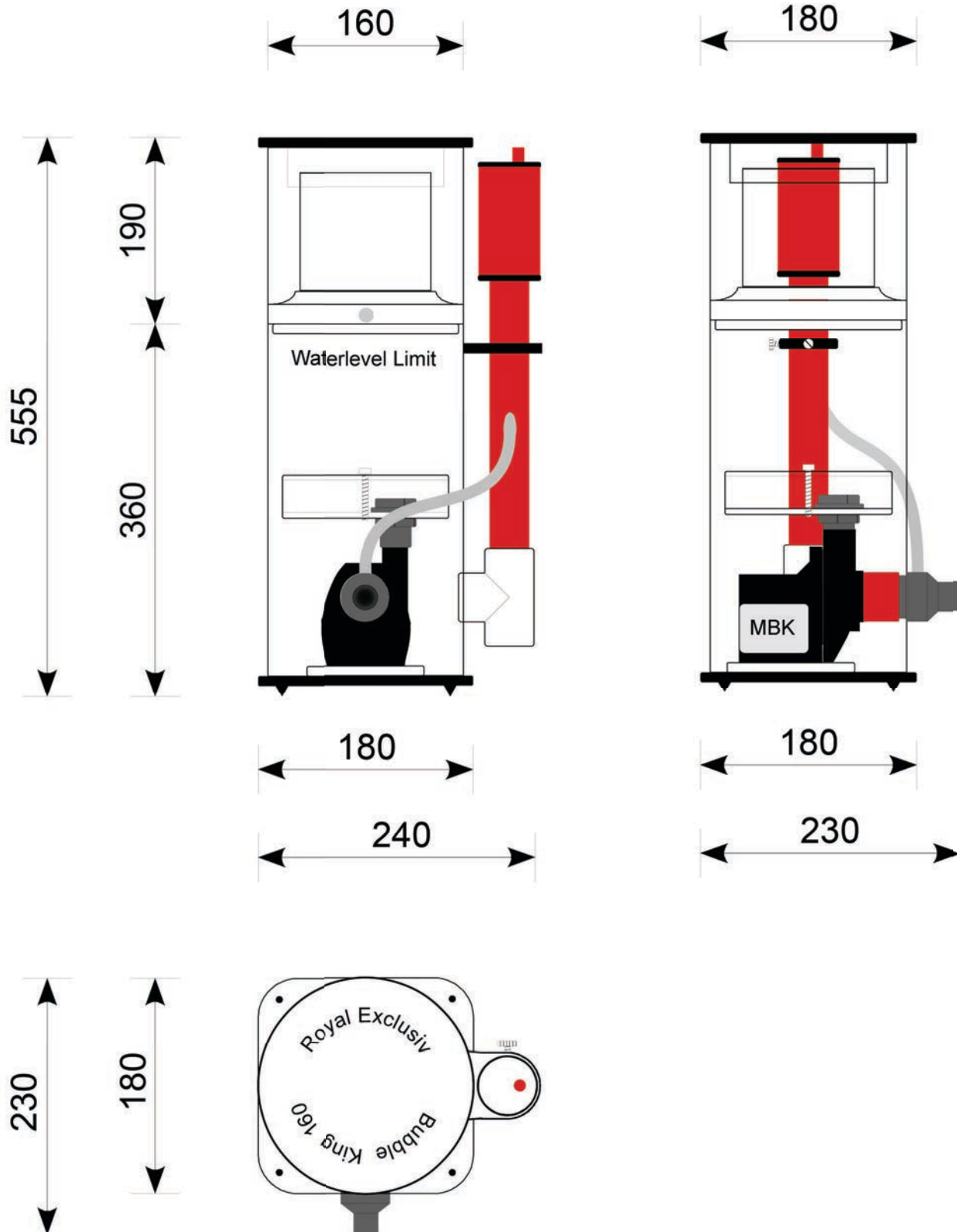


For more information, please visit www.royal-exclusiv.de. Simply enter the part number or name into the search box or email: info@royal-exclusiv.de.

All information subject to change. We try our best, but printing errors reserved.

Protein skimmer Mini Bubble King 160 VS12

Product no.: 501



For more information, please visit www.royal-exclusiv.de. Simply enter the part number or name into the search box or email: info@royal-exclusiv.de.

All information subject to change. We try our best, but printing errors reserved.

**Protein skimmer Mini Bubble King 160 VS12****Product no.: 501**

| list of spare parts | product no. (110V) | (230V) | Price |
|--|---------------------------|---------------|--------------|
| resonator single with 40mm flute | 290 | 290 | 32,76 € |
| silicon plug for outlet 8-10mm | 297 | 297 | 4,73 € |
| lid complete with lever ring | 310 | 310 | 67,20 € |
| cup with conus and stand pipe | 350 | 350 | 184,80 € |
| silicon O-ring 148x2,5mm for conus | 330 | 330 | 6,72 € |
| silicon O-ring 90x2,5mm for standpipe | 338 | 338 | 5,41 € |
| injection pan complete | 340 | 340 | 49,35 € |
| torque tube Ø 40mm | 343 | 343 | 20,48 € |
| plastic screw for injection pan 6x45mm | 181 | 181 | 1,26 € |
| plastic screw for pipe bracket 6x12mm | 181-1 | 181-1 | 0,53 € |
| plastic screw for torque tube 6x16mm | 181-2 | 181-2 | 1,84 € |
| rubber feets 4 pieces | 180 | 180 | 4,20 € |
| silicon tube 9x3mm (price for one meter) | 185 | 185 | 19,43 € |
| nozzle with ozon-connection | 282 | 282 | 23,52 € |
| skimmer-body with base plate and T-piece | 368 | 368 | 294,00 € |
| skimmer-pump MBK 600 complete | 108/1-12 | 108/2-12 | 436,80 € |
| motor block MBK 600 with baseplate | 131/1-12 | 131/2-12 | 200,55 € |
| pump head PVC grey with AKB (anti-lime-bypass) | 242/12 | 242/12 | 108,15 € |
| suction-line, manifold from nozzle to the skimmer-pump | 278/160 | 278/160 | 3,68 € |
| rotor complete with metal-shaft | 115/1-1/9 | 115/2-1/9 | 174,72 € |
| carbon-bearing with O-ring (price for one piece) | 155 | 155 | 6,83 € |
| V4A screws for pump-head (3 pieces) | 182-3 | 182-3 | 2,00 € |
| titan screws for baseplate (2 pieces) | 183-6 | 183-6 | 6,09 € |
| union nut 25mm for MBK 600 pump | 176-25 | 176-25 | 2,42 € |
| perbunan O-ring 65 x 4mm for pump head/motorblock | 171 | 171 | 4,20 € |
| AKB (anti-lime-bypass) hose Ø 8mm red 137mm length | 295/1 | 295/1 | 4,20 € |

accessories

| | product no. (110V) | (230V) | Price |
|--|---------------------------|---------------|--------------|
| add on resonator Ø 63mm | 999 | 999 | 33,60 € |
| PVC pipe clip Ø 63mm for wall and ceiling mounting | 930-63 | 930-63 | 6,83 € |
| resonator - inlay | 294-1 | 294-1 | 6,20 € |
| silicon grease tube 6g | 030/6 | 030/6 | 2,63 € |
| silicon grease tube 25g | 030/25 | 030/25 | 7,88 € |

Protein skimmer Mini Bubble King 160 VS12

Product no.: 501

Please replace the **x** with the appropriate number for the voltage of 110/230 Volt.

| | | | |
|---|---|--|---|
| <i>spare part</i> | <i>spare part</i> | <i>spare part</i> | <i>spare part</i> |
|  |  |  |  |
| resonator single with 40mm flute 290 32,76 € | silicon plug for outlet 8-10mm 297 4,73 € | lid complete with lever ring 310 67,20 € | cup with conus and stand pipe 350 184,00 € |
| <i>spare part</i> | <i>spare part</i> | <i>spare part</i> | <i>spare part</i> |
|  |  |  |  |
| silicon O-ring 148 x 2,5mm for conus 330 6,72 € | silicon O-ring 90 x 2,5mm for standpipe 338 5,41 € | injection pan complete 340 49,35 € | torque tube Ø 40mm 343 20,48 € |
| <i>spare part</i> | <i>spare part</i> | <i>spare part</i> | <i>spare part</i> |
|  |  |  |  |
| plastic screw for injection pan 6x45mm 181 1,26 € | plastic screw for pipe bracket 6x12mm 181-1 0,53 € | plastic screw for torque tube 6x16mm 181-2 1,84 € | rubber feets 4 pieces 180 4,20 € |
| <i>spare part</i> | <i>spare part</i> | <i>spare part</i> | <i>spare part</i> |
|  |  |  |  |
| silicon tube 9x3mm (price for one meter) 185 19,43 € | nozzle with ozon-connection 282 23,52 € | skimmer-body with base plate and T-piece 368 294,00 € | skimmer-pump MBK 600 complete 108/x-12 436,80 € |

For more information, please visit www.royal-exclusiv.de. Simply enter the part number or name into the search box or email: info@royal-exclusiv.de.

All information subject to change. We try our best, but printing errors reserved.

Protein skimmer Mini Bubble King 160 VS12

Product no.: 501

Please replace the **x** with the appropriate number for the voltage of 110/230 Volt.

| | | | |
|---|---|--|---|
| <i>spare part</i> | <i>spare part</i> | <i>spare part</i> | <i>spare part</i> |
|  |  |  |  |
| motor block MBK 600 with baseplate 131/x - 12 200,55 € | pump head grey with AKB (anti-lime-bypass) 242/12 108,15 € | suction-line, manifold from nozzle to skimmer-pump 278/160 3,68 € | rotor complete with metal-shaft 115/x-1/9 174,72 € |
| <i>spare part</i> | <i>spare part</i> | <i>spare part</i> | <i>spare part</i> |
|  |  |  |  |
| carbon-bearing with O-ring 155 6,83 € | V4A screws for pump-head 3 pieces 182-3 2,00 € | titan screws for baseplate 2 pieces 183-6 6,09 € | union nut 25mm for MBK 600 pump 176-25 2,42 € |
| <i>spare part</i> | <i>spare part</i> | | |
|  |  | | |
| perbunan O-ring 65 x 4mm for pump head/motorblock 171 4,20 € | AKB(anti-lime-bypass) hose Ø 8mm red 295/1 4,20 € | | |
| <i>accessories</i> | <i>accessories</i> | <i>accessories</i> | <i>accessories</i> |
|  |  |  |  |
| add on resonator Ø 63mm 999 33,60 € | PVC pipe clip Ø 63mm for wall and ceiling mounting 930-63 6,83 € | resonator - inlay 294-1 6,20 € | silicon grease tube 6g 030-6 2,63 € |

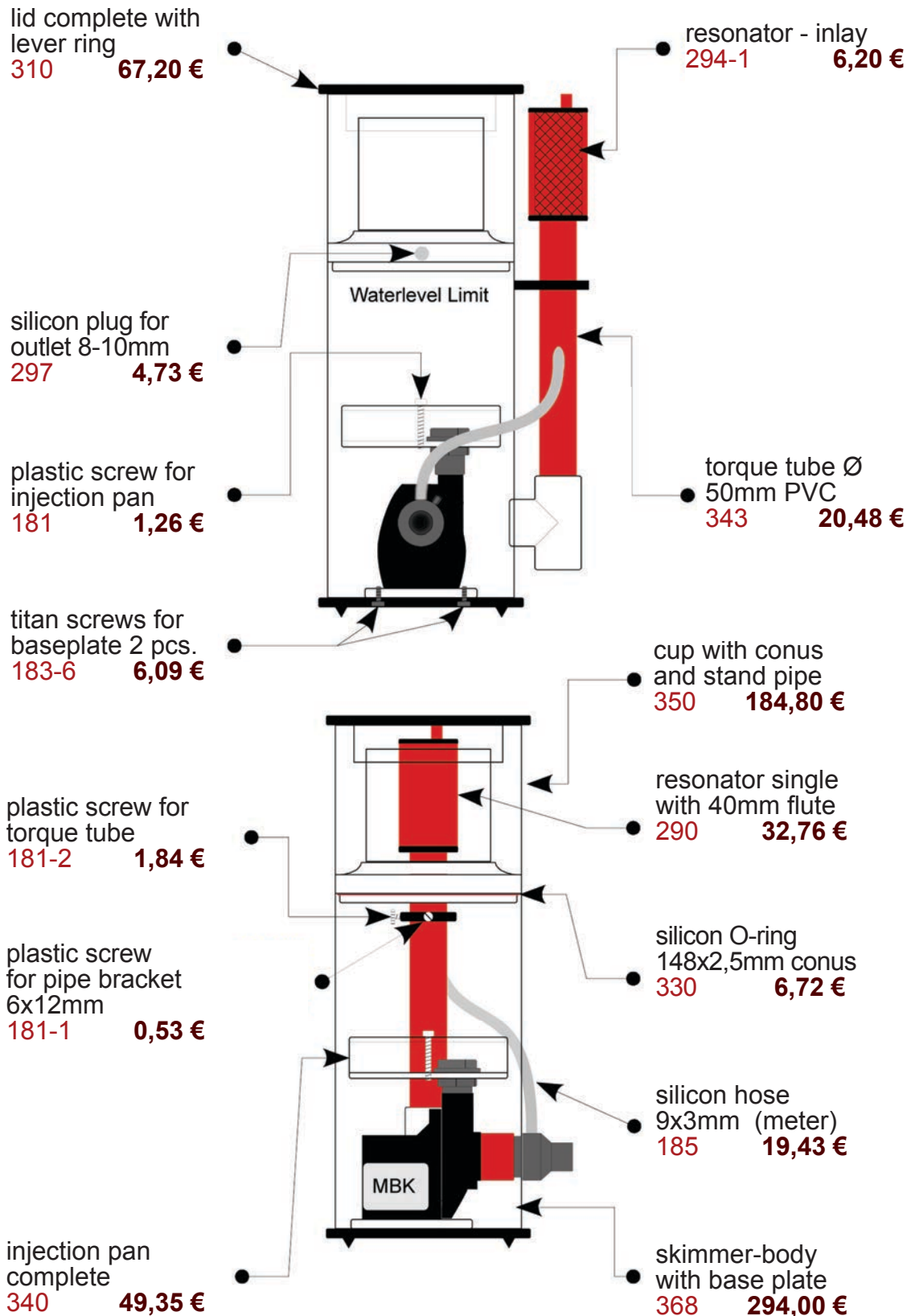
For more information, please visit www.royal-exclusiv.de. Simply enter the part number or name into the search box or email: info@royal-exclusiv.de.

All information subject to change. We try our best, but printing errors reserved.



Protein skimmer Mini Bubble King 160 VS12

Product no.: 501



For more information, please visit www.royal-exclusiv.de. Simply enter the part number or name into the search box or email: info@royal-exclusiv.de.

All information subject to change. We try our best, but printing errors reserved.

Protein skimmer Mini Bubble King 160 VS12

Product no.: 501

Please replace the **x** with the appropriate number for the voltage of 110/230 Volt.

